

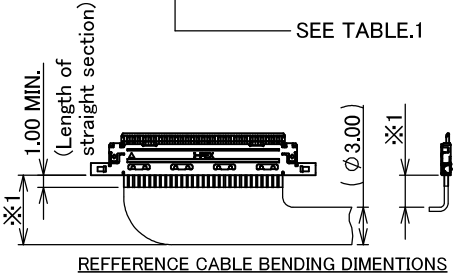
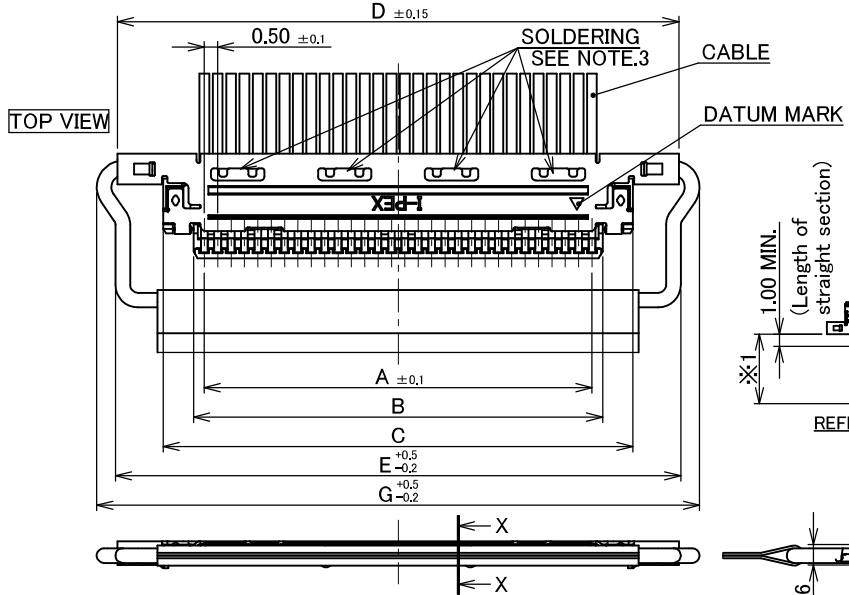
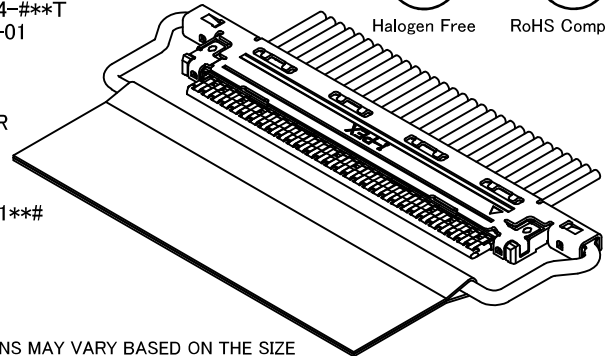
Recommended P/N 20453-2\*\*T-03(20P/30P/40P) 20453-250T-03S(50P)

PART NO.	Pos.	A	B	C	D	E	F	G	H
20453-#20T-#1	20	9.50	10.30	12.56	16.00	16.15	13.00	17.55	14.45
20453-#30T-#1	30	14.50	15.30	17.56	21.00	21.15	18.00	22.55	19.45
20453-#40T-#1	40	19.50	20.30	22.56	26.00	26.15	23.00	27.55	24.45
20453-#50T-#1S	50	24.50	25.30	27.56	31.00	31.15	28.00	32.55	29.45

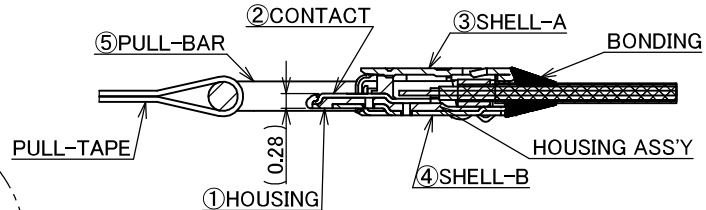
**WITH PULL-BAR & PULL-TAPE**



- P/N:20453-#\*\*T-###
- 0 : NOTHING : HOUSING ASS'Y P/N 20454-###T
  - 1 : WITH PULL-BAR P/N 2576-0\*\*-00
  - 2 : WITHOUT PULL-BAR
  - 3 : WITH INSULATION COAT PULL-BAR P/N 2576-1\*\*-00
  - 0 : WITH DATUM MARK P/N 2574-0\*\*-#
  - 1 : WITHOUT DATUM MARK P/N 2574-1\*\*-#
- SEE TABLE.1



※1: THE BEND DIMENSIONS MAY VARY BASED ON THE SIZE AND QUANTITY OF CABLES. PLEASE CONFIRM THE MINIMUM BENDING RADIUS WITH I-PEX OR THE HARNESS MANUFACTURER.



SECT X-X  
S = 10 : 1

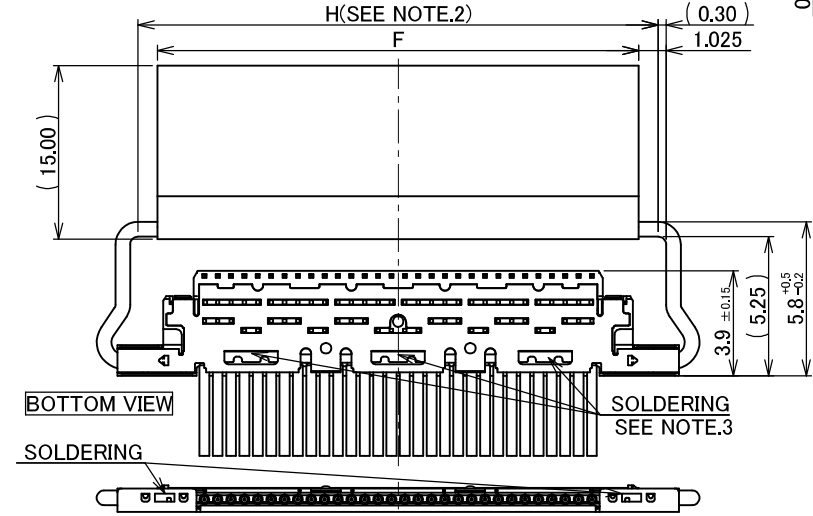
CABLE ASS'Y PART NO.	HOUSING ASS'Y PART NO.	SHELL-A PART NO.	PULL-BAR PART NO.
20453-0**T-#1#	20454-0**T-##	2574-###	2576-0**-00
20453-2**T-#1#	20454-2**T-##	2574-##*2	2576-0**-00

TABLE.1

PART NO.	CONTACT FINISH	SHELL-A FINISH	SHELL-B FINISH
20453-0**T-###	CONTACT AREA : Au 0.1 μm MIN. OVER Ni 1.00 μm MIN. SOLDERING AREA : Au 0.05 μm MIN. OVER Ni 1.00 μm MIN.	TOP SIDE : Au 0.05 μm MIN. OVER Ni 1.00 μm MIN. BOTTOM SIDE : Au 0.015 μm MIN. OVER Ni 1.00 μm MIN.	TOP SIDE : Au 0.015 μm MIN. OVER Ni 1.00 μm MIN. BOTTOM SIDE : Au 0.05 μm MIN. OVER Ni 1.00 μm MIN.
20453-2**T-###	CONTACT AREA : Au 0.1 μm MIN. OVER Ni 1.00 μm MIN. SOLDERING AREA : Au 0.05 μm MIN. OVER Ni 1.00 μm MIN.	TOP SIDE : Au 0.03 μm MIN. OVER Ni 1.00 μm MIN. BOTTOM SIDE : Ni 1.00 μm MIN.(THERE IS THE POSSIBILITY THAT Au ATTACHES RANDOMLY)	TOP SIDE : Ni 1.00 μm MIN.(THERE IS THE POSSIBILITY THAT Au ATTACHES RANDOMLY) BOTTOM SIDE : Au 0.03 μm MIN. OVER Ni 1.00 μm MIN.

NO.	DISCRIPTION	MATERIAL	FINISH, REMARKS
5	PULL-BAR	SUS	
4	SHELL-B	PHOSPHOR BRONZE	SEE ABOVE TABLE.1
3	SHELL-A	PHOSPHOR BRONZE	SEE ABOVE TABLE.1
2	CONTACT	PHOSPHOR BRONZE	SEE ABOVE TABLE.1
1	HOUSING	LCP	UL94V-0, BLACK

NO.	DISCRIPTION	MATERIAL	FINISH, REMARKS
36	Z241657 T.Ono Nov./22/'24 T.M	ANGLE ±2°	6 OVER 30 MAX. ±0.3
35	Z241418 T.Ono Oct./11/'24 T.M	6 MAX. ±0.2	30 OVER 120 MAX. ±0.5
34	Z231013 T.Ono Sept./27/'23 T.M	GENERAL TOLERANCE.	
33	Z211561 R.M Dec./21/'21 H.I	DWG. DATE	H.Ikari 2007/09/27
32	Z211259 R.M Oct./18/'21 H.I	CHK.	-
31	Z210160 R.M Feb./17/'21 H.I	APP.	-
REV.	ECN	BY	DATE
REVISION RECORD			
E.Kawabe			



- NOTES.
- 1.RECOMMENDED PULL-TAPE  
PULL-TAPE : TERAOKA's INSULATION TAPE No.650S(#50) t=0.08
  - 2.PULL-TAPE CAN BE PUT WITHIN THE RANGE OF "H"(STRAIGHT AREA)
  - 3.SOLDERING IS ONLY A CASE WITH GND-BAR

**PATENT REGISTERED**

Confidential C

I-PEX Inc.

QKE-DFE06-02 REV.13

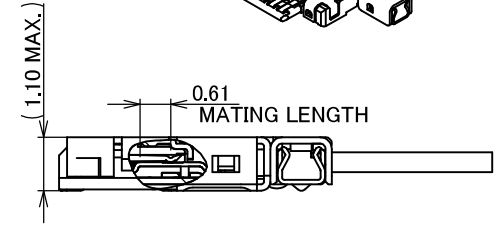
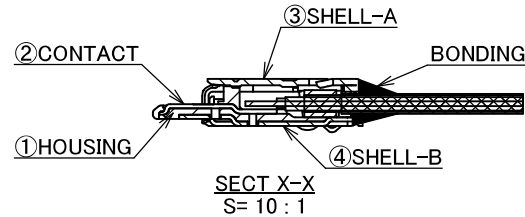
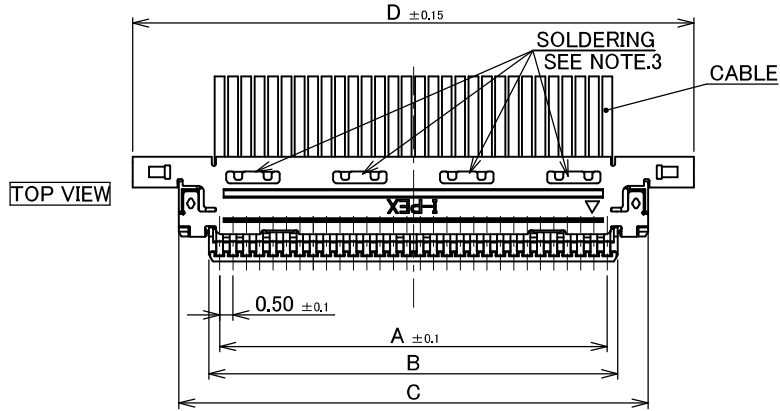
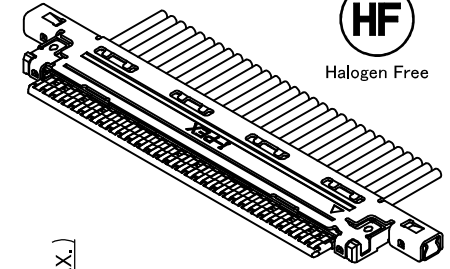
Recommended P/N 20453-2\*\*T-03(20P/30P/40P) 20453-250T-03S(50P)

PART NO.	Pos.	A	B	C	D
20453-#20T-#2	20	9.50	10.30	12.56	16.00
20453-#30T-#2	30	14.50	15.30	17.56	21.00
20453-#40T-#2	40	19.50	20.30	22.56	26.00
20453-#50T-#2S	50	24.50	25.30	27.56	31.00

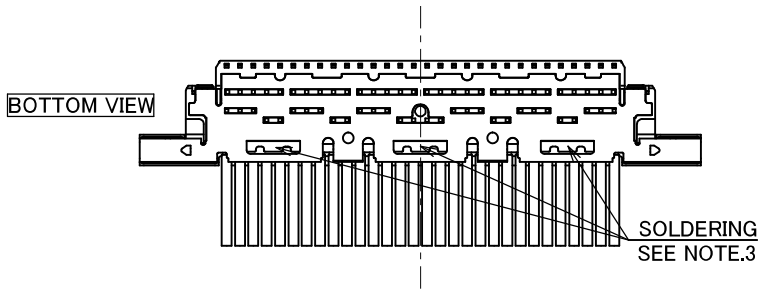
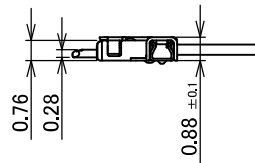
WITHOUT PULL-BAR



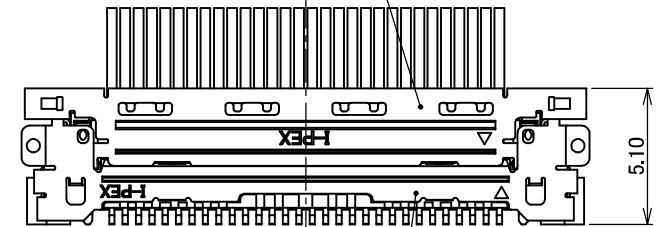
Halogen Free RoHS Compliant



MATING CONDITION



PLUG P/N: 20453-##\*T-#2#



RECEPTACLE P/N: 20455-##\*E-##

PART NO.

CABLE ASS'Y PART NO.	HOUSING ASS'Y PART NO.	SHELL-A PART NO.	PULL-BAR PART NO.
20453-0**T-#2#	20454-0**T-##	2574-##*	-
20453-2**T-#2#	20454-2**T-##	2574-##*2	-

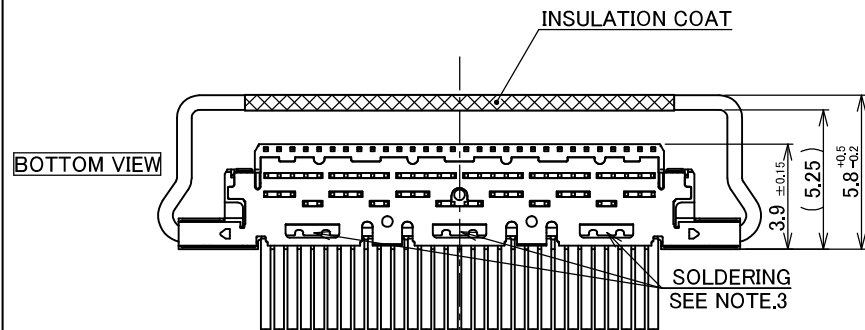
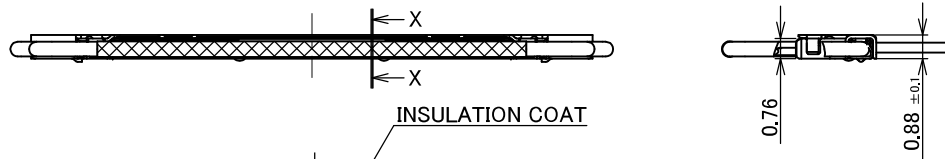
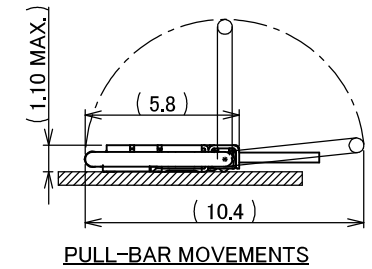
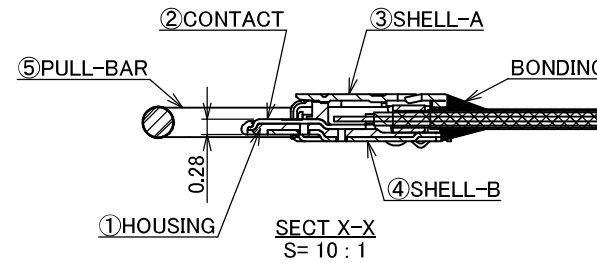
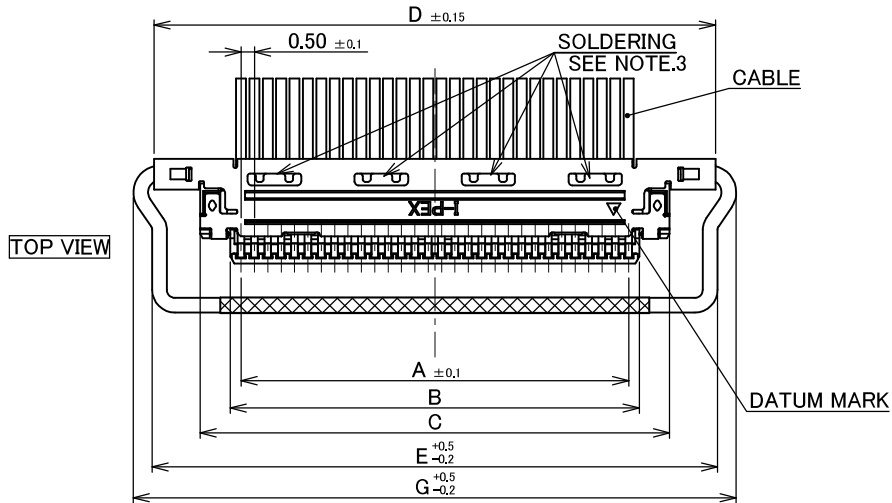
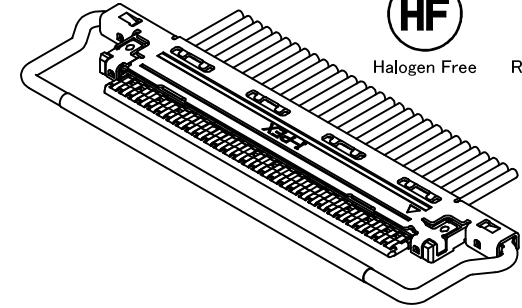
PATENT REGISTERED

ANGLE	±2°	6 OVER 30 MAX.	±0.3	PROJECTION	SERIES No. R11R3R0	CUSTOMER COPY		
6 MAX.	±0.2	30 OVER 120 MAX.	±0.5			TITLE CABLIN <sup>®</sup> -VS PLUG CABLE ASSEMBLY	SCALE 5:1	UNIT mm
DWG.	GENERAL TOLERANCE.			DWG. No. 20453	SIZE A3	SHEET 2/6	REV. 36	I-PEX
CHK.	DATE							
APP.								

Recommended P/N 20453-2\*\*T-03(20P/30P/40P) 20453-250T-03S(50P)

PART NO.	Pos.	A	B	C	D	E	G
20453-#20T-#3	20	9.50	10.30	12.56	16.00	16.15	17.55
20453-#30T-#3	30	14.50	15.30	17.56	21.00	21.15	22.55
20453-#40T-#3	40	19.50	20.30	22.56	26.00	26.15	27.55
20453-#50T-#3S	50	24.50	25.30	27.56	31.00	31.15	32.55

WITH INSULATION COAT PULL-BAR



PATENT REGISTERED

PART NO.

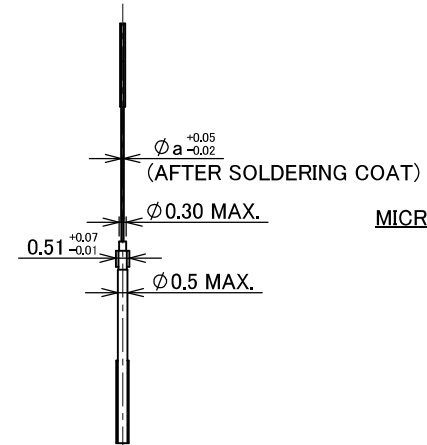
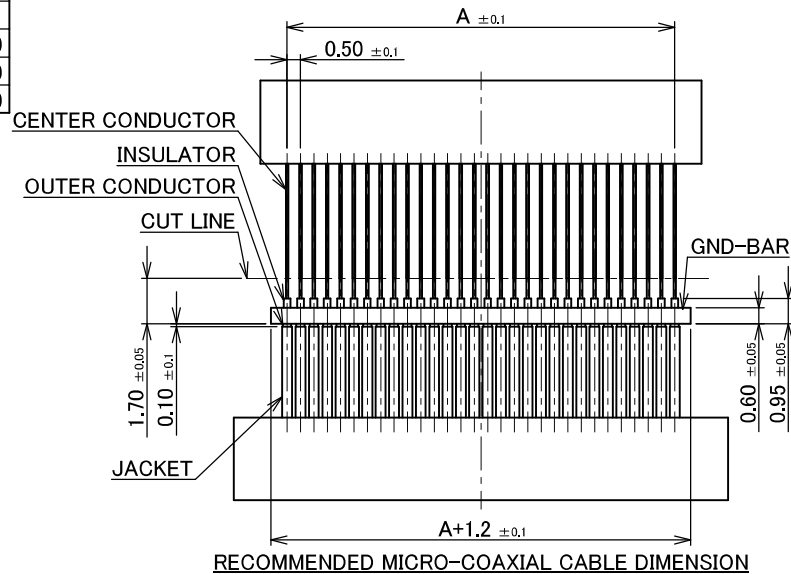
CABLE ASS'Y PART NO.	HOUSING ASS'Y PART NO.	SHELL-A PART NO.	PULL-BAR PART NO.
20453-0**T-#3#	20454-0**T-##	2574-###	2576-1**-00
20453-2**T-#3#	20454-2**T-##	2574-##*2	2576-1**-00

ANGLE	$\pm 2^\circ$	6 OVER 30 MAX.	$\pm 0.3$	PROJECTION	SERIES No. R11R3R0	CUSTOMER COPY			
6 MAX.	$\pm 0.2$	30 OVER 120 MAX.	$\pm 0.5$			TITLE CABLIN <sup>®</sup> -VS PLUG CABLE ASSEMBLY	SCALE 5:1	UNIT mm	
GENERAL TOLERANCE.				DWG. No. 20453	SIZE A3	SHEET 3/6	REV. 36	<b>I-PEX</b>	
DWG.	DATE								
CHK.									
APP.									

ITEMS	SPECIFICATION
APPLICABLE CABLE	MICRO-COAXIAL CABLE : AWG# 44, 42, 40, 38, 36 DISCRETE WIRE : AWG# 36, 34, 32 TWINAX CABLE : AWG# 40
RATING VOLTAGE	100V AC (PER CONTACT PIN) ※THIS IS THE RATED VOLTAGE OF THE CONNECTOR. PLEASE NOTE THAT THE RATED VOLTAGE MAY VARY IN THE HARNESS DEPENDING ON THE CABLES USED.
RATING AMPERAGE (FOR CONTACT)	0.1A AC/DC [AWG#44] PER CONTACT PIN/UP TO 50 CONTACTS 0.24A AC/DC [AWG#42] PER CONTACT PIN/UP TO 50 CONTACTS 0.3A AC/DC [AWG#40] PER CONTACT PIN/UP TO 50 CONTACTS 0.5A AC/DC [AWG#38] PER CONTACT PIN/UP TO 14 CONTACTS 0.8A AC/DC [AWG#36] PER CONTACT PIN/UP TO 10 CONTACTS 1.0A AC/DC [AWG#34] PER CONTACT PIN/UP TO 6 CONTACTS 1.0A AC/DC [AWG#32] PER CONTACT PIN/UP TO 6 CONTACTS TESTING BY A REAL MACHINE IS RECOMMENDED BECAUSE TEMPERTURE RISE MAY AFFECTED BY ACTUAL SITUATION.
OPERATING TEMPERATURE	233~358K(-40°C~+85°C)
OPERATING HUMIDITY	85% MAX.
CONTACT RESISTANCE	INITIAL : 140mohm MAX.(AWG#32) / AFTER TEST : $\triangle$ 140mohm MAX. 180mohm MAX.(AWG#34) 275mohm MAX.(AWG#36) 360mohm MAX.(AWG#38) 600mohm MAX.(AWG#40) 700mohm MAX.(AWG#42) 1080mohm MAX.(AWG#44)
GROUND SHELL RESISTANCE	INITIAL : 50mohm MAX. / AFTER TEST : $\triangle$ 140mohm MAX.
INSULATION RESISTANCE	INITIAL : 1000Mohm MIN. / AFTER TEST : 500Mohm MIN.
DIELECTRIC WITHSTANDING VOLTAGE	AC250V 1min
DURABILITY	30 CYCLES
MATING FORCE (INITIAL / AFTER TEST)	20P : 9.45N MAX. 30P : 12.15N MAX. 40P : 16.20N MAX. 50P : 20.25N MAX.
UNMATING FORCE (INITIAL / AFTER TEST)	20P : 2.0N MIN. 30P : 3.0N MIN. 40P : 4.0N MIN. 50P : 5.0N MIN.
CABLE RETENTION FORCE	20P : 9.80N MIN. 30P : 14.70N MIN. 40P : 19.60N MIN. 50P : 24.50N MIN.
PRODUCT SPECIFICATION	PRS-1427
TEST REPORT	TR-08047 (20453-0**T-###) / TR-13084 (20453-2**T-###)
INSTRUCTION MANUAL	HIM-08004
ASSEMBLY MANUAL	ASM-08003
APPEARANCE CRITERIA No.	QLS-A***

ANGLE	$\pm 2^\circ$	6 OVER 30 MAX.	$\pm 0.3$	PROJECTION	SERIES No.	CUSTOMER COPY		
6 MAX.	$\pm 0.2$	30 OVER 120 MAX.	$\pm 0.5$		R11R3R0			
GENERAL TOLERANCE.				TITLE	SCALE			
DWG.	DATE			CABLIN <sup>®</sup> -VS PLUG CABLE ASSEMBLY	UNIT			
CHK.					mm			
APP.				DWG. No.	SIZE			
					20453	A3	4/6	36

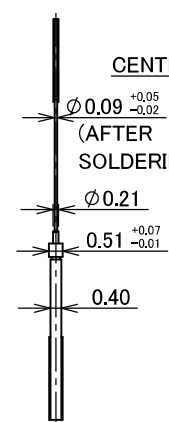
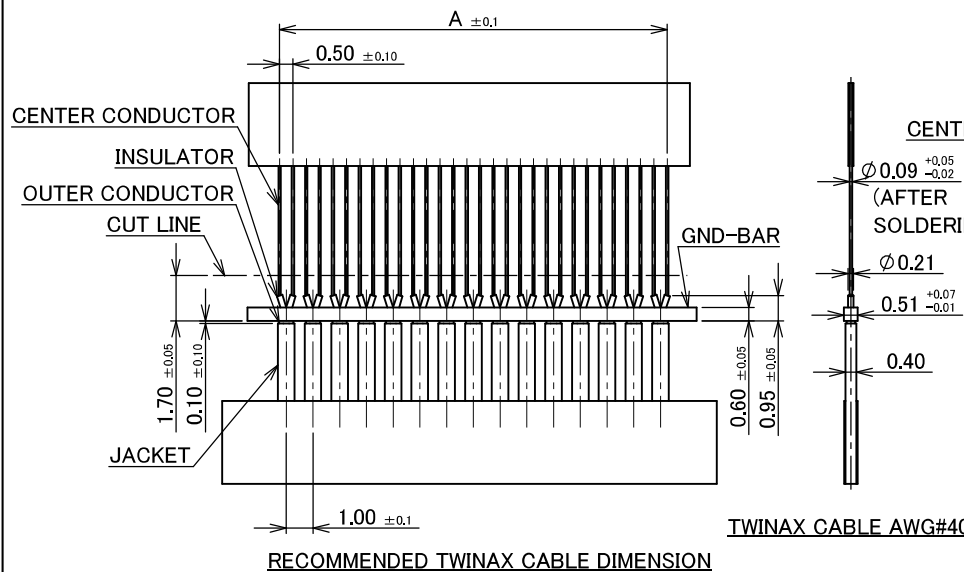
PART NO.	Pos.	A
20453-#20T-##	20	9.50
20453-#30T-##	30	14.50
20453-#40T-##	40	19.50
20453-#50T-##S	50	24.50



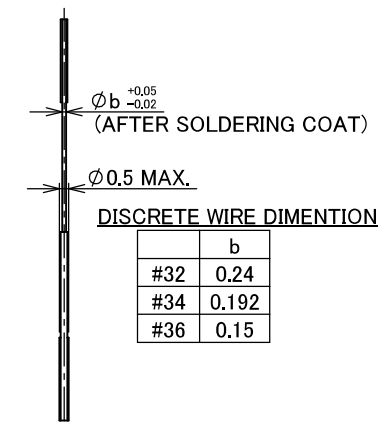
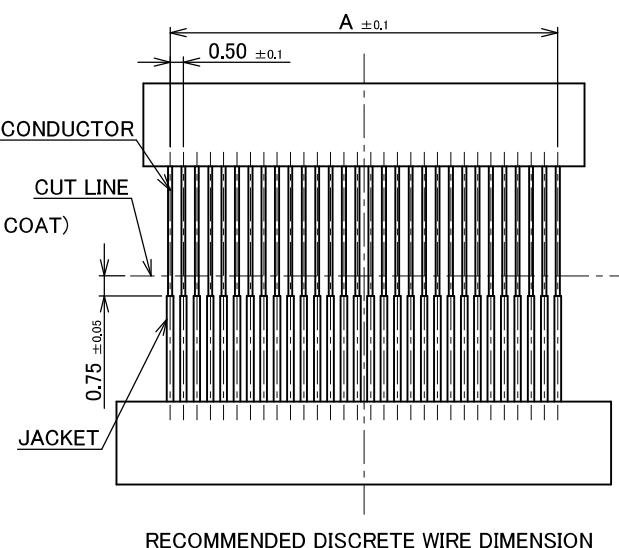
MICRO-COAXIAL CABLE DIMENSION

	a
#36	0.15
#38	0.12
#40	0.09
#42	0.075
#44	0.063

MICRO-COAXIAL CABLE AWG\*\*\*



TWINAX CABLE AWG#40



DISCRETE WIRE DIMENSION

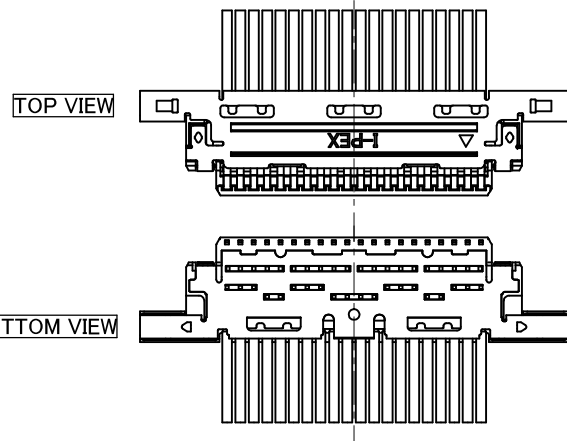
	b
#32	0.24
#34	0.192
#36	0.15

DISCRETE WIRE AWG\*\*\*

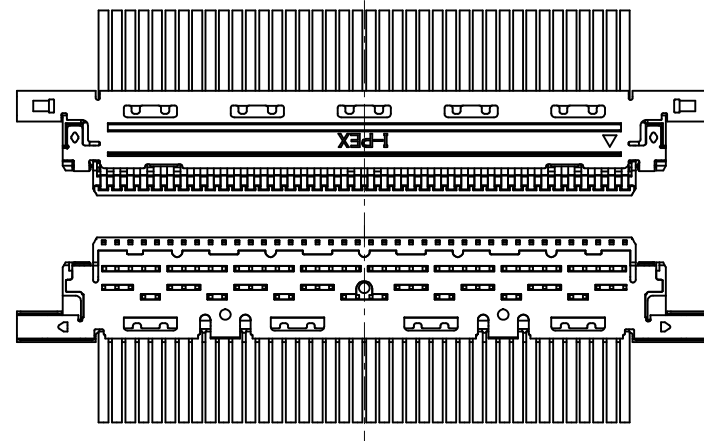
ANGLE	±2°	6 OVER 30 MAX.	±0.3	PROJECTION	SERIES No.	CUSTOMER COPY		
	6 MAX.	±0.2	30 OVER 120 MAX.		R11R3R0			
GENERAL TOLERANCE.				TITLE	SCALE			
DATE				CABLIN <sup>®</sup> -VS	5:1			
CHK.				PLUG CABLE ASSEMBLY	UNIT			
APP.					mm			
				DWG. No.	20453	SIZE	SHEET	REV.
						A3	5/6	36

# THE EXTERNAL APPEARANCE

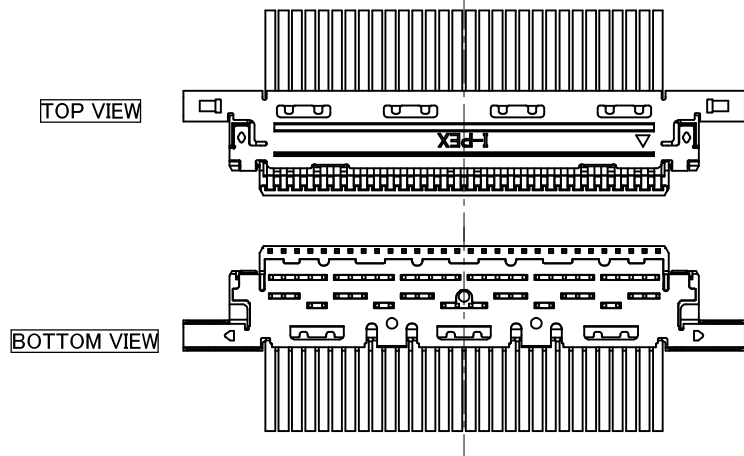
20P



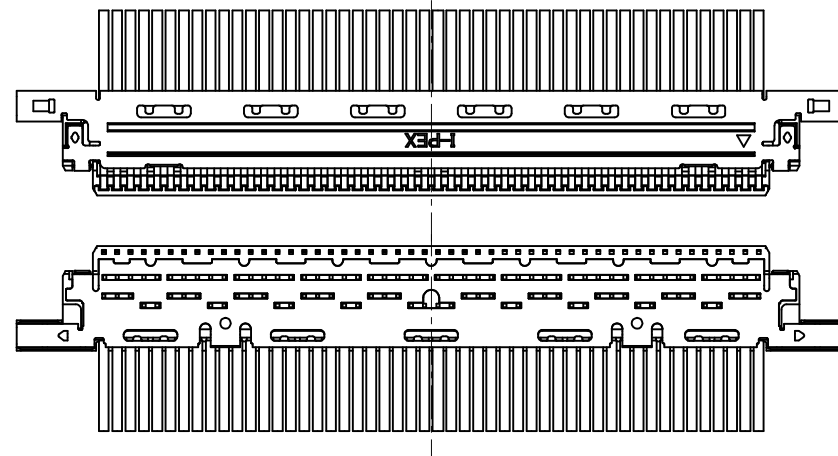
40P



30P



50P



ANGLE	$\pm 2^\circ$	6 OVER 30 MAX.	$\pm 0.3$	PROJECTION	SERIES No.	CUSTOMER COPY		
	6 MAX.	$\pm 0.2$	30 OVER 120 MAX.	$\pm 0.5$		R11R3R0	SCALE	<b>I-PEX</b>
GENERAL TOLERANCE.				TITLE	CABLIN <sup>®</sup> -VS PLUG CABLE ASSEMBLY	UNIT		
DWG.	DATE			5:1				
CHK.				mm				
APP.				DWG. No.	20453	SIZE	SHEET	REV.
						A3	6/6	36