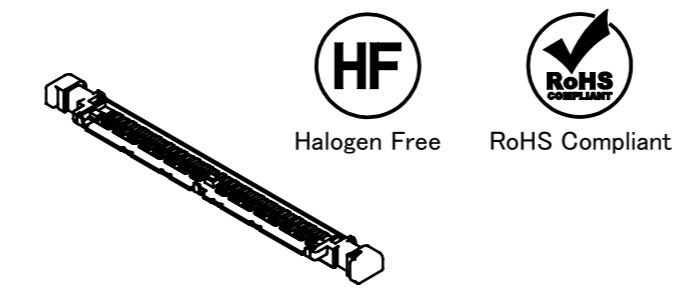
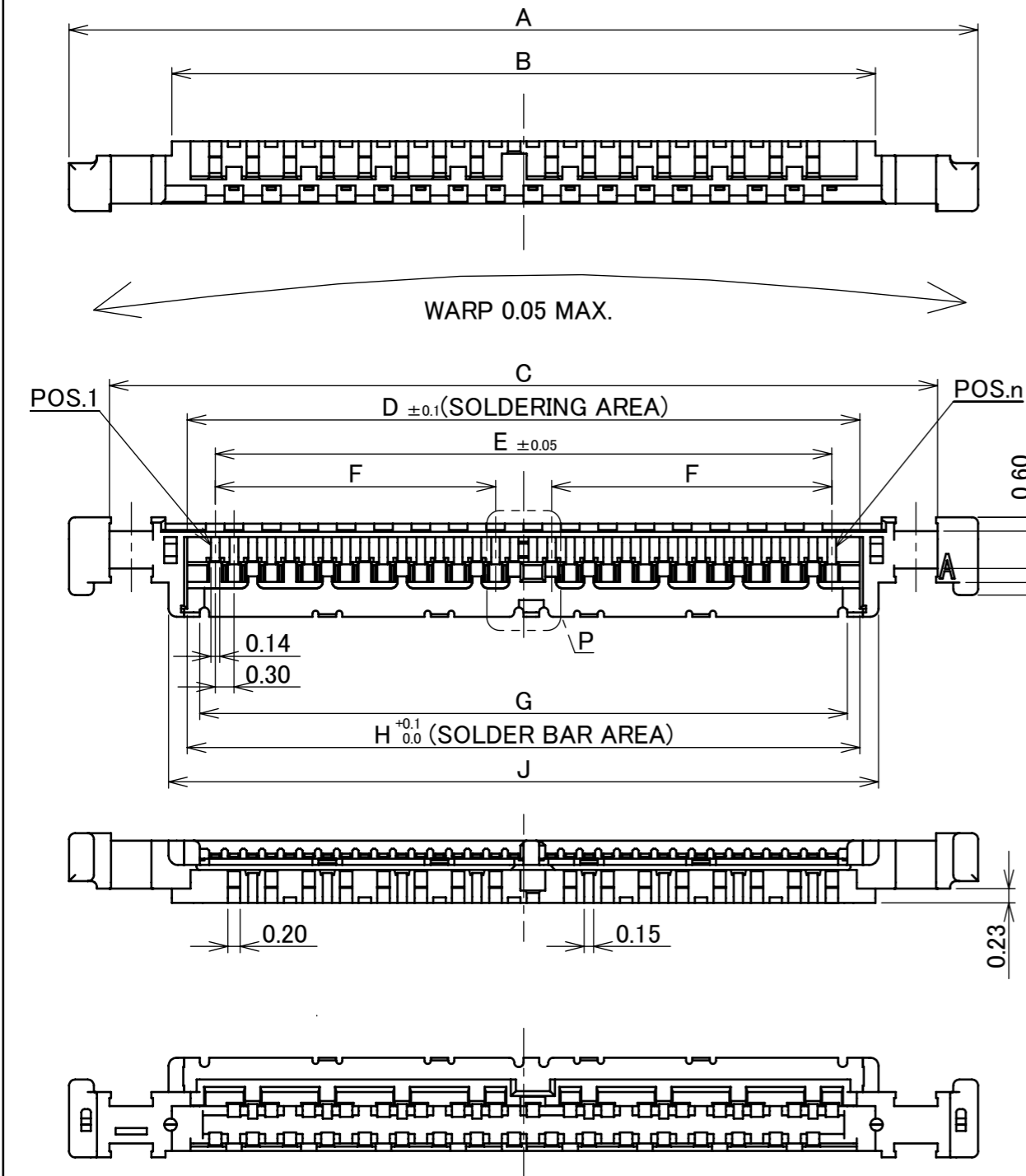


Recommended P/N 20497-0**T-30

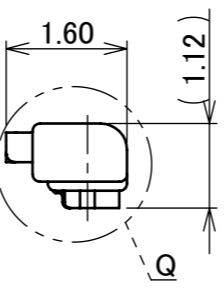
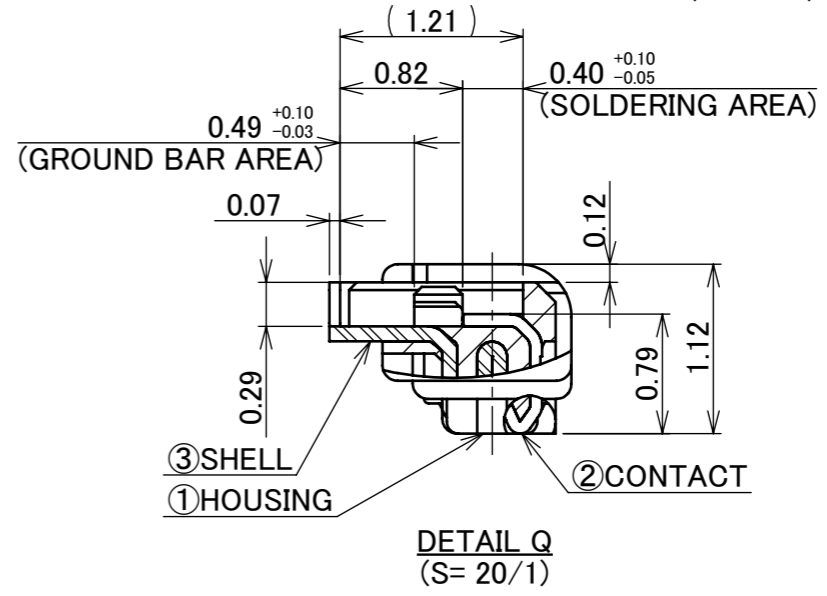
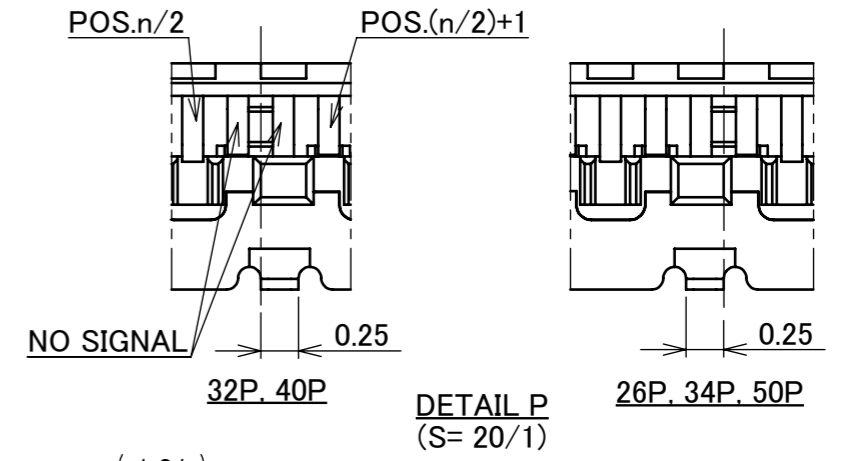
PART No.	POS.	A	B	C	D	E	F	G	H	J
20497-026T-30	26	12.8	9.5	11.5	9.0	8.1	3.6	8.6	9.0	9.6
20497-032T-30	32	14.6	11.3	13.3	10.8	9.9	4.5	10.4	10.8	11.4
◆ 20497-034T-30	34	15.2	11.9	13.9	11.4	10.5	4.8	11.0	11.4	12.0
20497-040T-30	40	17.0	13.7	15.7	13.2	12.3	5.7	12.8	13.2	13.8
20497-050T-30	50	20.0	16.7	18.7	16.2	15.3	7.2	15.8	16.2	16.8

◆ MARK MEANS NOT AVAILABLE.



PART COMBINATION TABLE		
PLUG CABLE ASS'Y	PLUG HOUSING ASS'Y	METAL COVER
20496-0**-30	20497-0**T-30	2679-0**-00
20496-0**-40		2679-0**-10

20497-0**T-30
Pos.



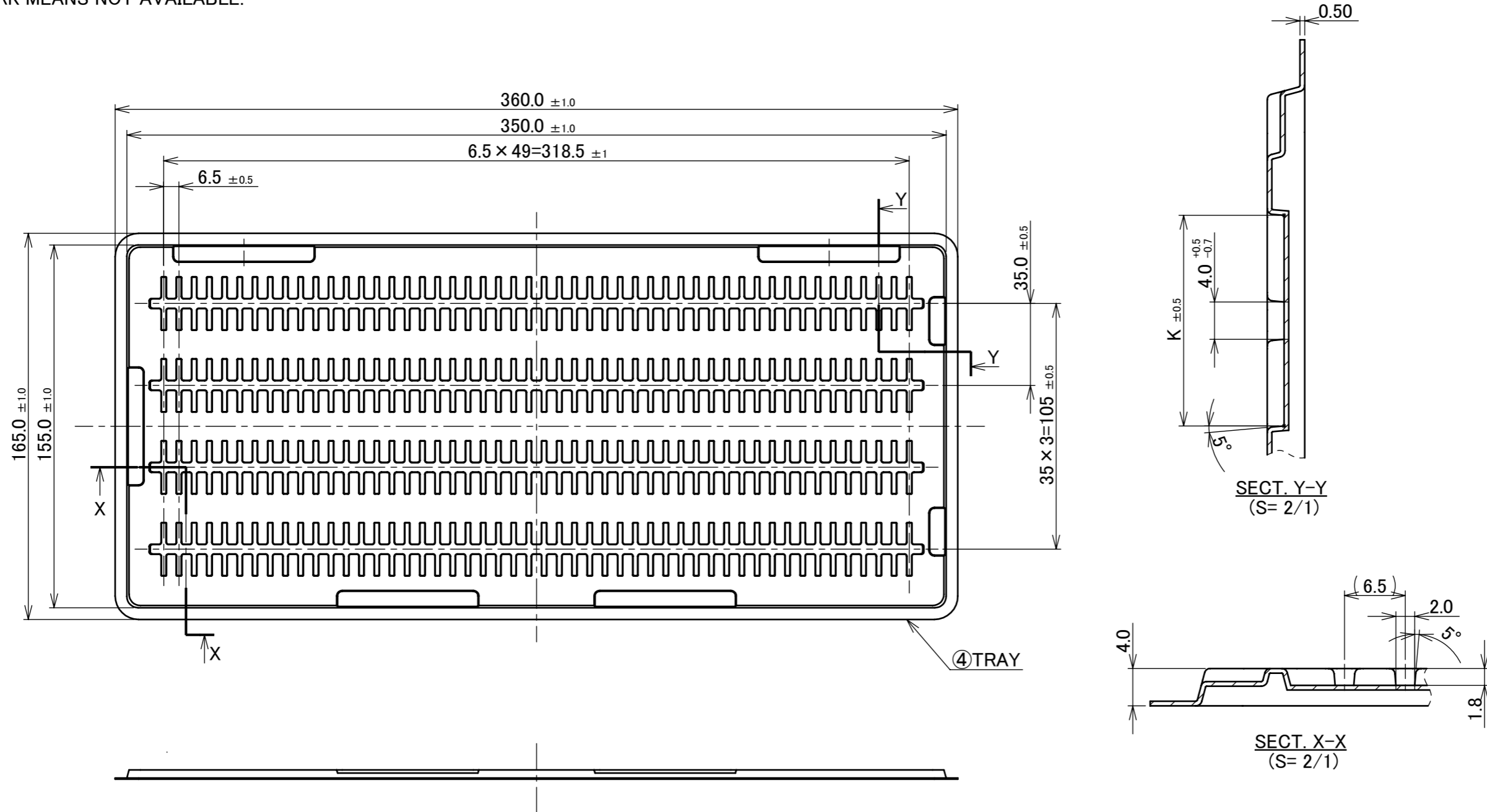
NO.	DISCRIPTION	MATERIAL	FINISH , REMARKS
3	SHELL	PHOSPHOR BRONZE	Ni 1.00 μ m MIN.
2	CONTACT	PHOSPHOR BRONZE	Au 0.1 μ m MIN. OVER Ni 1.00 μ m MIN.
1	HOUSING	LCP	UL94V-0, BLACK

REV.	ECN	BY	DATE	APP.	APP.	DATE	DWG. No.	SIZE	SHEET	REV.
13	Z230016	R.H	2023/01/10	H.I	ANGLE	±2°	6 OVER 30 MAX.	±0.3		
12	Z220216	S.Y	2022/03/02	H.I	6 MAX.	±0.2	30 OVER 120 MAX.	±0.5		
11	Z191190	S.Y	2019/09/06	H.I	GENERAL TOLERANCE.					
10	Z181009	T.O	2018/07/31	H.I	DWG.	J.Ohsaka	DATE	2009/02/17		
9	Z180289	R.T	2018/03/06	M.T	CHK.	-				
8	Z170878	K.T	2017/08/02	M.T	APP.	-				
REVISION RECORD					E.Kawabe	2009/02/17	20497	A3	1/2	13

NOTES
 1. THIS PART IS ASSEMBLED METAL COVER (P/N 2679-0**-#0) AFTER SOLDERED THE COAXIAL CABLE, AND IT BECOMES P/N 20496-0**-#0.
 2. PRODUCT SPECIFICATION : DOCUMENT No. PRS-1469
 ASSEMBLY MANUAL : DOCUMENT No. ASM-09004

PART No.	POS.	K	QTY. IN DITCH (PIECES / DITCH)	QTY. IN TRAY (PIECES / TRAY)	QTY. PER SHIPPING CARTON (TRAYS / CARTON)	QTY. PER PACKING CARTON (PIECES / CARTON)	PACKING STANDARD
20497-026T-30	26	15.00	1	200	20 / CARTON = 4000	16000 (4 SHIPPING CARTON)	300-695
20497-032T-30	32	22.50					
◆ 20497-034T-30	34						
20497-040T-30	40						
20497-050T-30	50						

◆ MARK MEANS NOT AVAILABLE.



4	TRAY	PS	ANTI-STATIC TYPE
NO.	DISCRIPTION	MATERIAL	FINISH , REMARKS

ANGLE	±2°	6 OVER 30 MAX.	±0.3	PROJECTION ⊕	SERIES No. R1	CUSTOMER COPY
6 MAX.	±0.2	30 OVER 120 MAX.	±0.5			
GENERAL TOLERANCE.				TITLE CABLIN® -UA II PLUG HOUSING ASS'Y		SCALE 1:2
DWG.	DATE			DWG. No. 20497		UNIT mm
CHK.						I-PEX
APP.						
				SIZE A3	SHEET 2/2	REV. 13