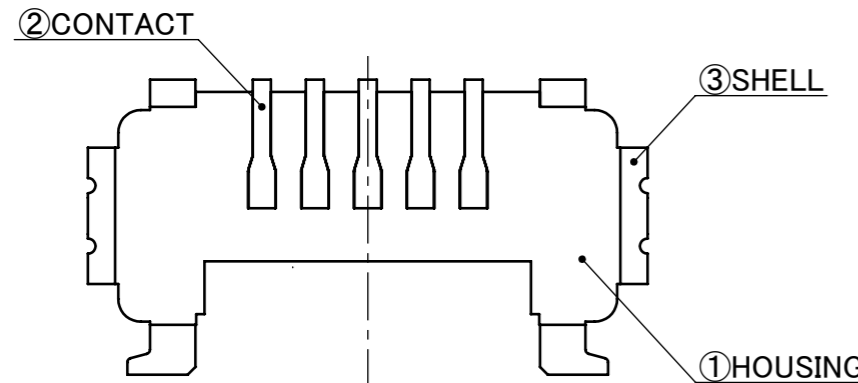
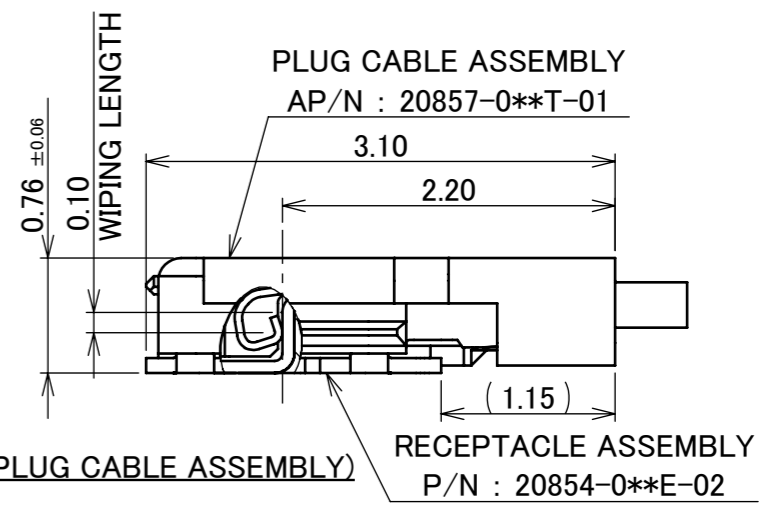
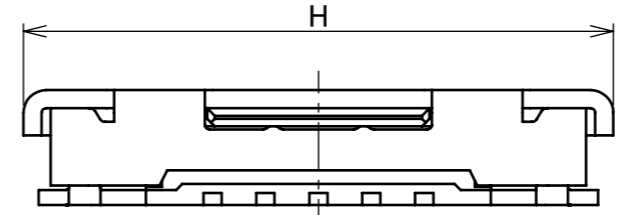
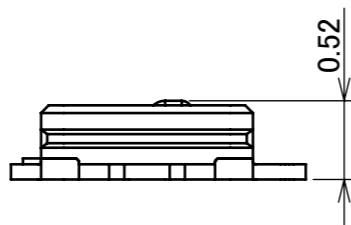
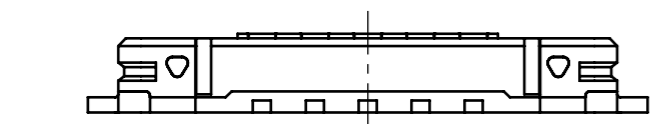
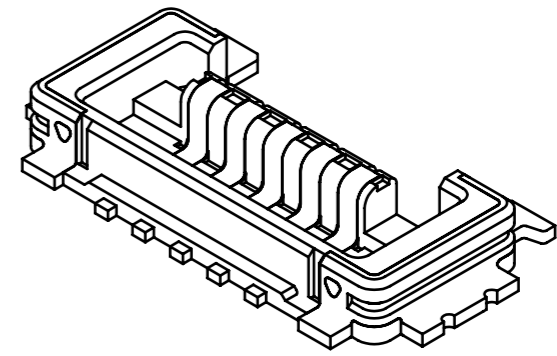
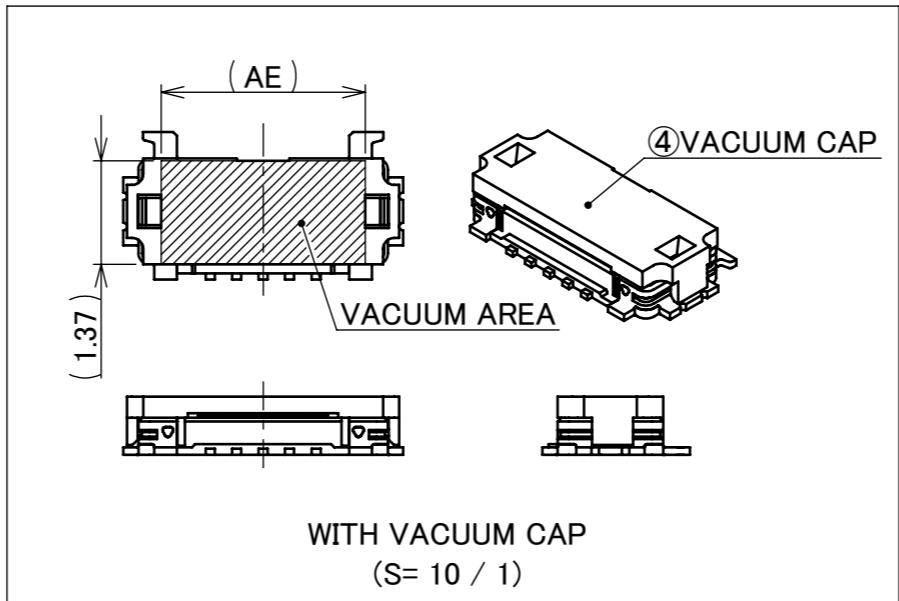
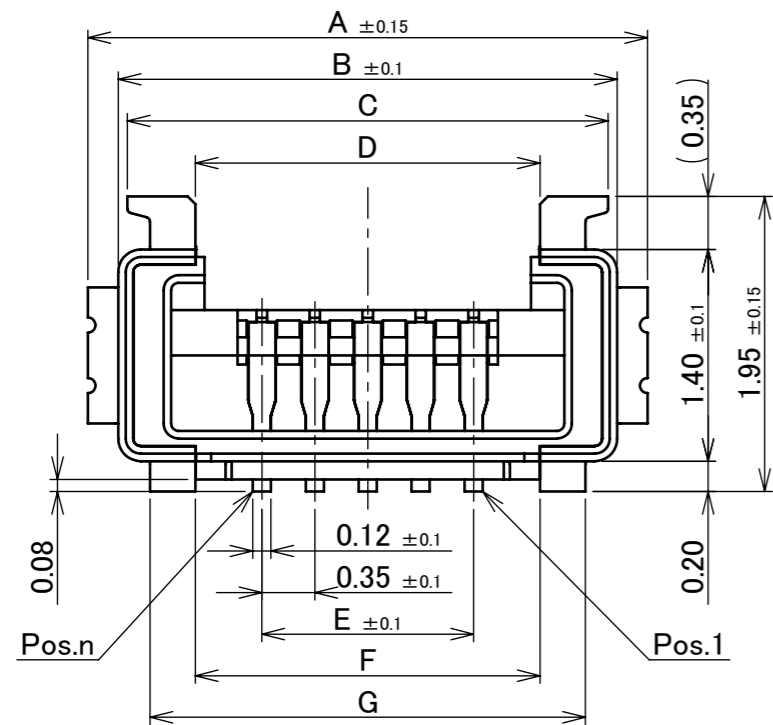
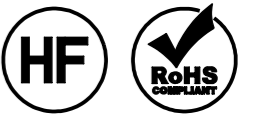


Recommended P/N 20854-0\*\*E-02

PART NO.	Pos.	A	B	C	D	E	F	G	H	J	AE
20854-005E-02	5	3.70	3.30	3.18	2.28	1.40	2.28	2.88	3.90	2.90	2.70
20854-010E-02	10	5.45	5.05	4.93	4.03	3.15	4.03	4.63	5.65	4.65	4.45

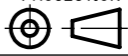


4	VACUUM CAP	LCP	UL94V-0, BLACK
3	SHELL	PHOSPHOR BRONZE	ALL OVER Ni 1.00 μm MIN. CONTACT PART: Au 0.01 μm MIN. SOLDERING PART: Au 0.01 μm MIN.
2	CONTACT	PHOSPHOR BRONZE	ALL OVER Ni 1.00 μm MIN. CONTACT PART: Au 0.05 μm MIN. SOLDERING PART: Au 0.03 μm MIN.
1	HOUSING	LCP	UL94V-0, BLACK
NO.	DESCRIPTION	MATERIAL	FINISH , REMARKS

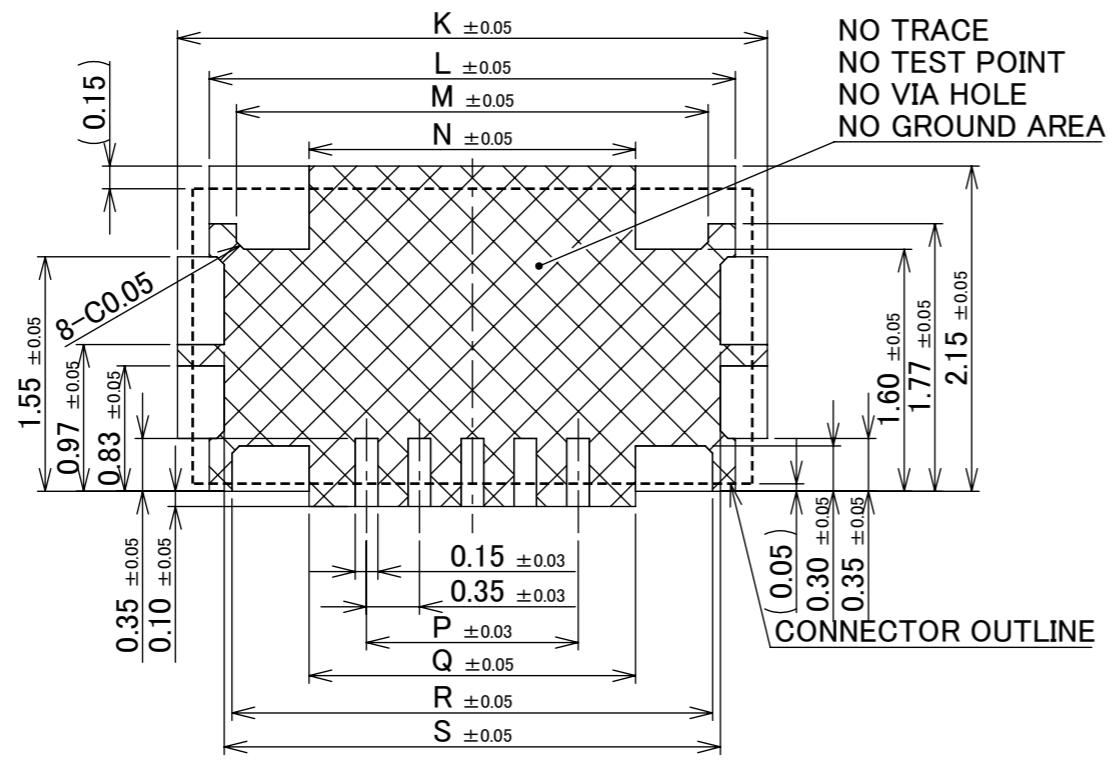
NOTE.  
1. COPLANARITY: 0.08mm MAX.

6	Z240017	R.H	2024/01/10	H.I	ANGLE	±2°	6 OVER 30 MAX.	±0.3	PROJECTION ⊕	SERIES No. R8	CUSTOMER COPY	
5	Z210746	S.Y	2021/07/09	H.I	6 MAX.	±0.2	30 OVER 120 MAX.	±0.5				
4	Z210452	S.Y	2021/04/28	H.I	GENERAL TOLERANCE.			TITLE CABLINER <sup>®</sup> -UY RECEPTACLE ASSEMBLY	SCALE 20:1	UNIT mm	I-PEX	
3	Z200309	Y.F	2020/03/13	T.Y	DWG.	DATE						
2	Z200022	Y.F	2020/01/10	Y.S	S.Kawamura 2018/12/03							
1	Z190941	Y.F	2019/07/25	Y.S	CHK. K.Yotsutani							
REV.	ECN	BY	DATE	APP.	APP.	K.Yotsutani		DWG. No.	20854	SIZE A3	SHEET 1/4	REV. 6

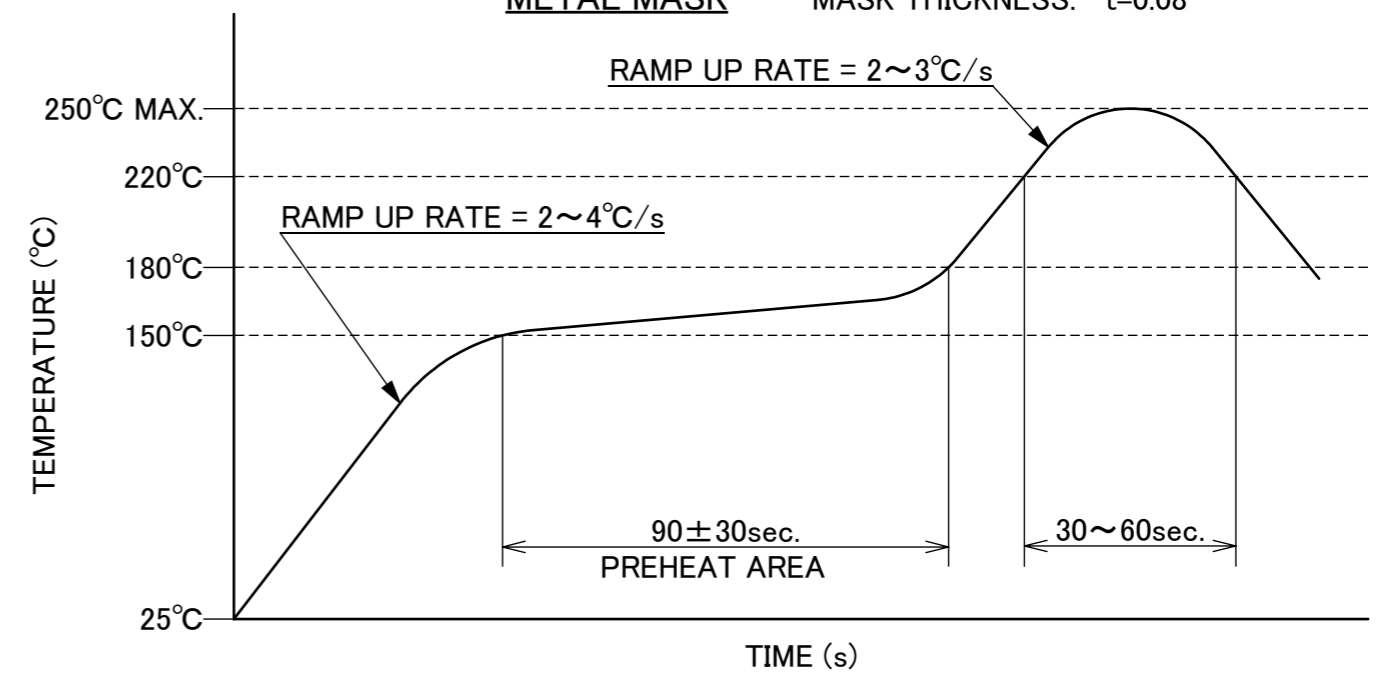
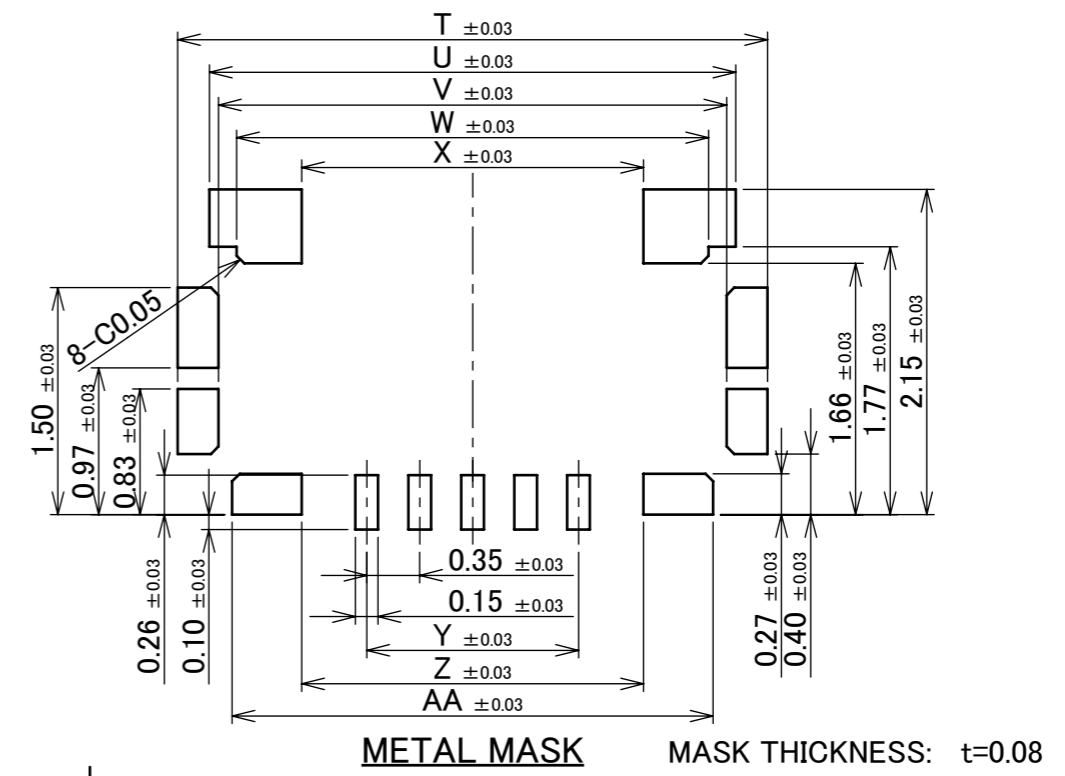
ITEMS	SPECIFICATION
APPLICABLE CONNECTOR PART No.	20857-0**T-01 (PLUG CABLE ASSEMBLY)
APPLICABLE CABLE	MICRO-COAXIAL CABLE : AWG# 42 DISCRETE WIRE : AWG# 36
RATING VOLTAGE	60V AC (PER CONTACT PIN)
RATING AMPERAGE (FOR CONTACT)	0.35 AC/DC [AWG#42] PER CONTACT PIN 0.50 AC/DC [AWG#36] PER CONTACT PIN
OPERATING TEMPERATURE	233~358K(-40°C~+85°C)
OPERATING HUMIDITY	85% MAX.(NON-CONDENSING)
CONTACT RESISTANCE	INITIAL : 700mohm MAX.(AWG#42) 275mohm MAX.(AWG#36) / AFTER TEST : $\Delta$ R 40mohm MAX.
GROUND CONTACT RESISTANCE	INITIAL : 60mohm MAX. / AFTER TEST : $\Delta$ R 40mohm MAX.
INSULATION RESISTANCE	INITIAL : 500Mohm MIN. / AFTER TEST : 100Mohm MIN.
DIELECTRIC WITHSTANDING VOLTAGE	AC200V 1min
DURABILITY	30 CYCLES
MATING FORCE (INITIAL / AFTER TEST)	5P : INITIAL: 30N MAX. / AFTER TEST: 30N MAX. 10P : INITIAL: 30N MAX. / AFTER TEST: 30N MAX.
UNMATING FORCE (INITIAL / AFTER TEST)	5P : INITIAL: 5N MIN. / AFTER TEST: 3N MIN. 10P : INITIAL: 5N MIN. / AFTER TEST: 3N MIN.
CABLE RETENTION FORCE	5P : 2.45N MIN. 10P : 4.90N MIN.
COPLANARITY	0.08 MAX.
PRODUCT SPECIFICATION	PRS-2634
TEST REPORT	TR-19084
PACKING STANDARD	PST-18040
INSTRUCTION MANUAL	HIM-18037
APPEARANCE CRITERIA No.	QLS-A***

ANGLE	$\pm 2^\circ$	6 OVER 30 MAX.	$\pm 0.3$	PROJECTION 	SERIES No. R8	CUSTOMER COPY		
	6 MAX.	$\pm 0.2$	30 OVER 120 MAX.					$\pm 0.5$
GENERAL TOLERANCE.				TITLE CABLIN <sup>®</sup> -UY RECEPTACLE ASSEMBLY	SCALE	<b>I-PEX</b>		
DWG.	DATE							UNIT
CHK.								mm
APP.								SIZE SHEET REV.
				DWG. No.	20854	A3	2/4	6

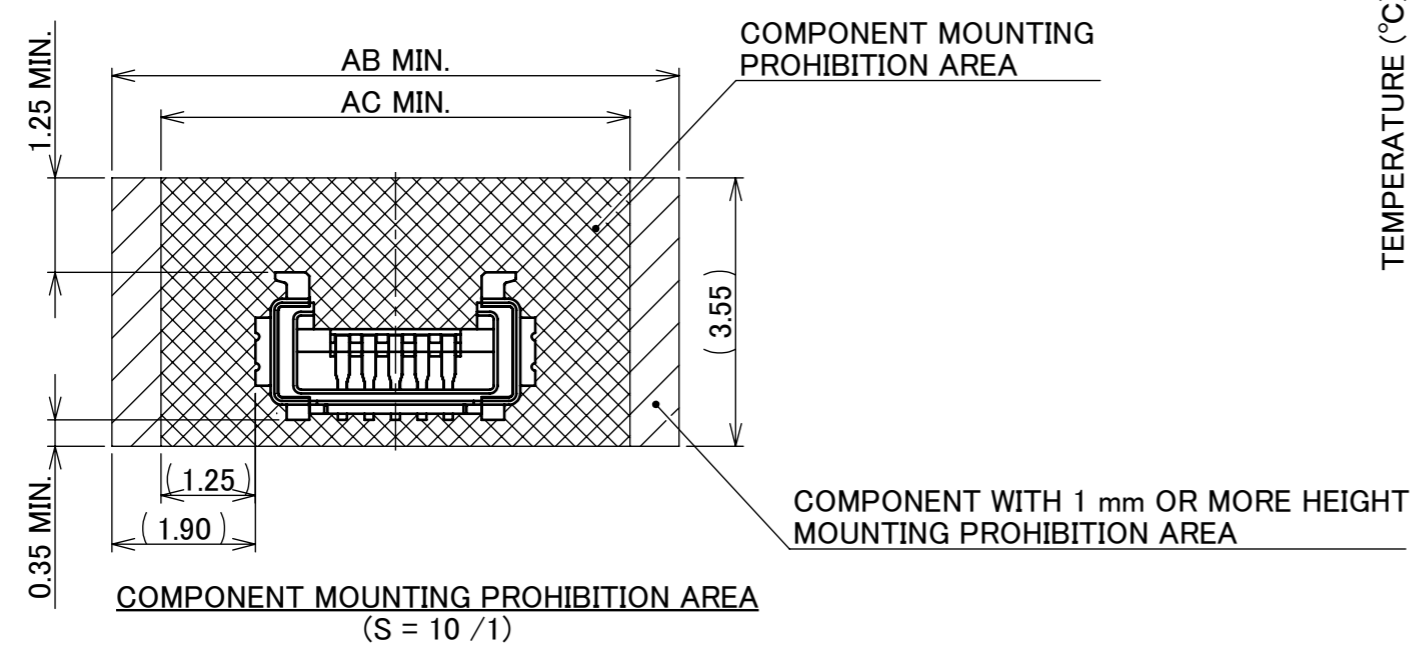
PART NO.	Pos.	K	L	M	N	P	Q	R	S	T	U	V	W	X	Y	Z	AA	AB	AC
20854-005E-02	5	3.90	3.48	3.12	2.16	1.40	2.16	3.18	3.28	3.90	3.48	3.36	3.12	2.26	1.40	2.26	3.18	7.50	6.20
20854-010E-02	10	5.65	5.23	4.87	3.91	3.15	3.91	4.93	5.03	5.65	5.23	5.11	4.87	4.01	3.15	4.01	4.93	9.25	7.95



RECOMMENDED FOOTPRINT PATTERN

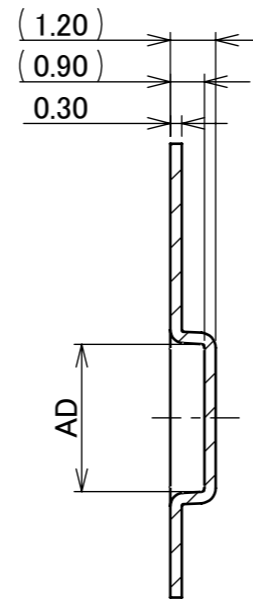
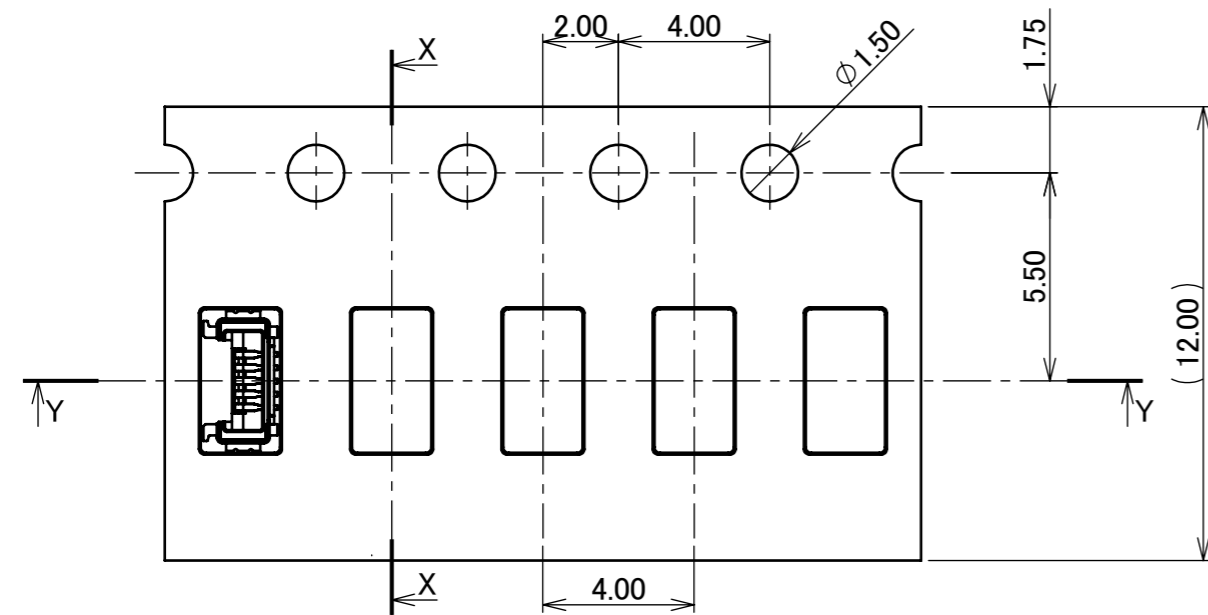
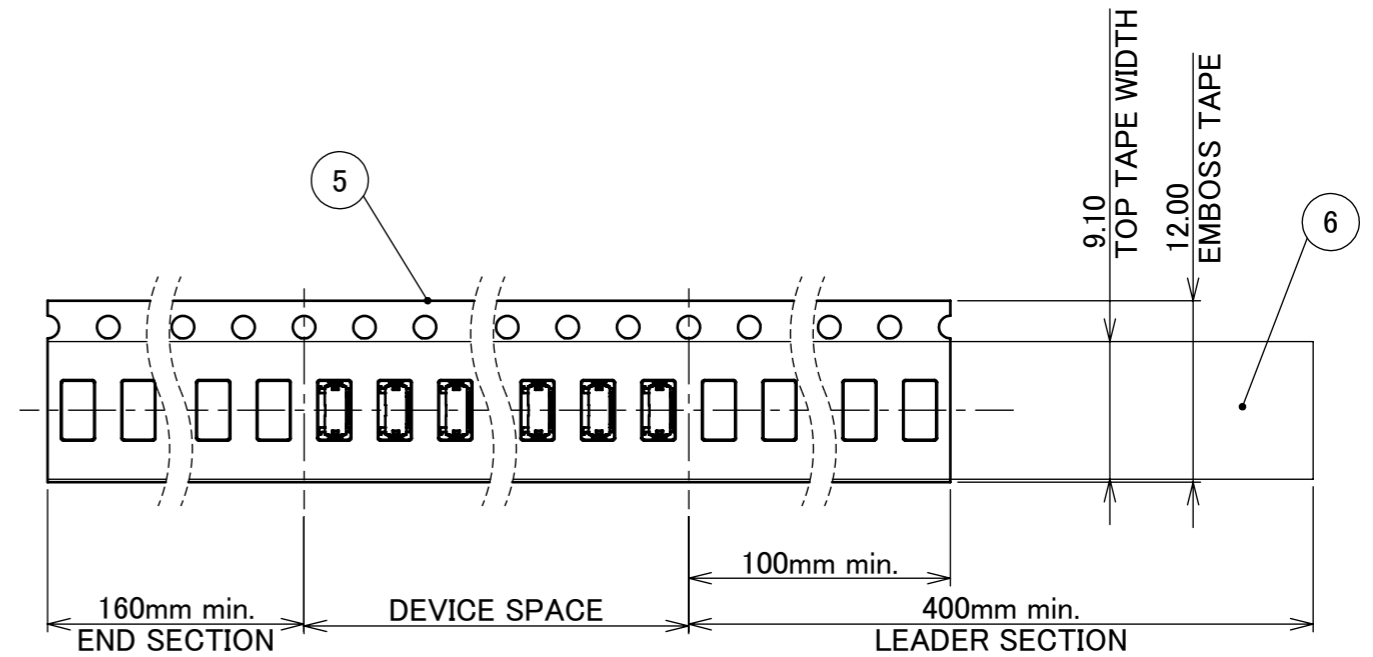
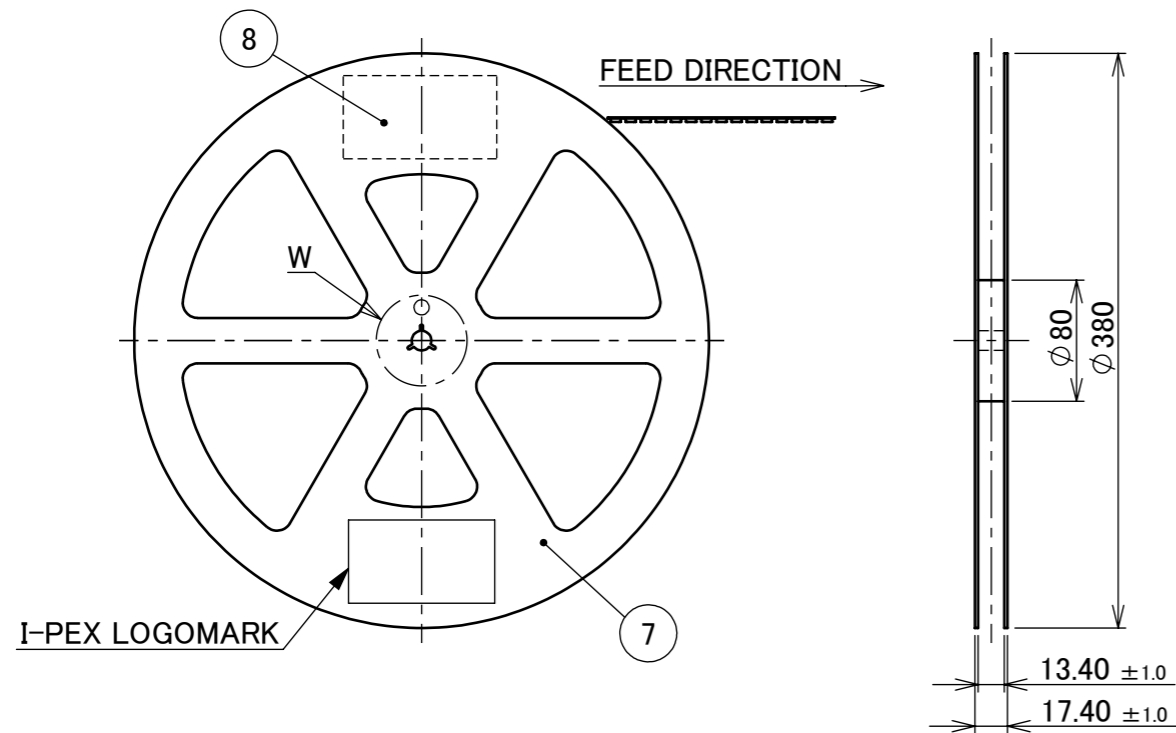


REFLOW TEMPERATURE PROFILE  
SENJU METAL INDUSTRY CO., LTD. : M705-SHF(Sn96.5 Ag3.0 Cu0.5)

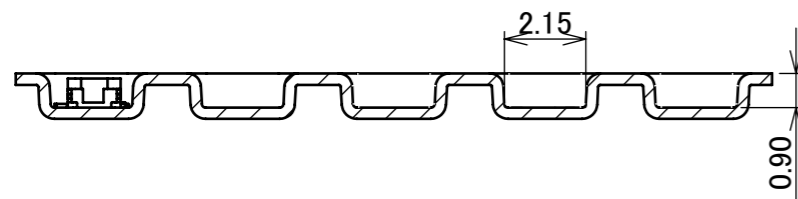


ANGLE	±2°	6 OVER 30 MAX.	±0.3	PROJECTION	SERIES No.	CUSTOMER COPY		
	6 MAX.	±0.2	30 OVER 120 MAX.	±0.5	R8			
GENERAL TOLERANCE.				TITLE	SCALE	I-PEX		
DWG.	DATE			CABLIN <sup>®</sup> -UY RECEPTACLE ASSEMBLY	20:1			
CHK.					UNIT			
APP.				DWG. No.	SIZE	SHEET	REV.	
				20854	A3	3/4	6	

PART NO.	Pos.	AD	QTY. PRE EMBOSS REEL (PIECES / REEL)	QTY. PRE PACKING CARTON (REEL / CARTON)
20854-005E-02	5	3.90	15,000 / REEL	9 / CARTON = 135,000
20854-010E-02	10	5.65	10,000 / REEL	9 / CARTON = 90,000



SECT. X-X



SECT. Y-Y

- NOTES.
- TAPING SPECIFICATION FOLLOWS JIS C 0806 (IEC 60286-3).
  - MAKE EMPTY SECTION OF LEADER AND END ON EACH END OF THE TAPE.
  - TOP TAPE SHALL NOT STICK OUT FROM EMBOSS TAPE.
  - TOP TAPE SHALL NOT COVER FEED HOLE.

DESCRIPTION	NO.	MATERIAL	REMARK
PACKING LABEL	8		
REEL	7	PS	
TOP TAPE	6	PET t=0.062 ANTI-STATIC TYPE	
EMBOSS TAPE	5	PS t=0.30 ANTI-STATIC TYPE	

ANGLE	±2°	6 OVER 30 MAX.	±0.3	PROJECTION	SERIES No.	CUSTOMER COPY		
6 MAX.	±0.2	30 OVER 120 MAX.	±0.5		R8			
GENERAL TOLERANCE.				TITLE	SCALE		UNIT	
DWG.	DATE			CABLINÉ® -UY	20:1		I-PEX	
CHK.				RECEPTACLE ASSEMBLY	mm			
APP.				DWG. No.	20854	SIZE	SHEET	REV.
						A3	4/4	6